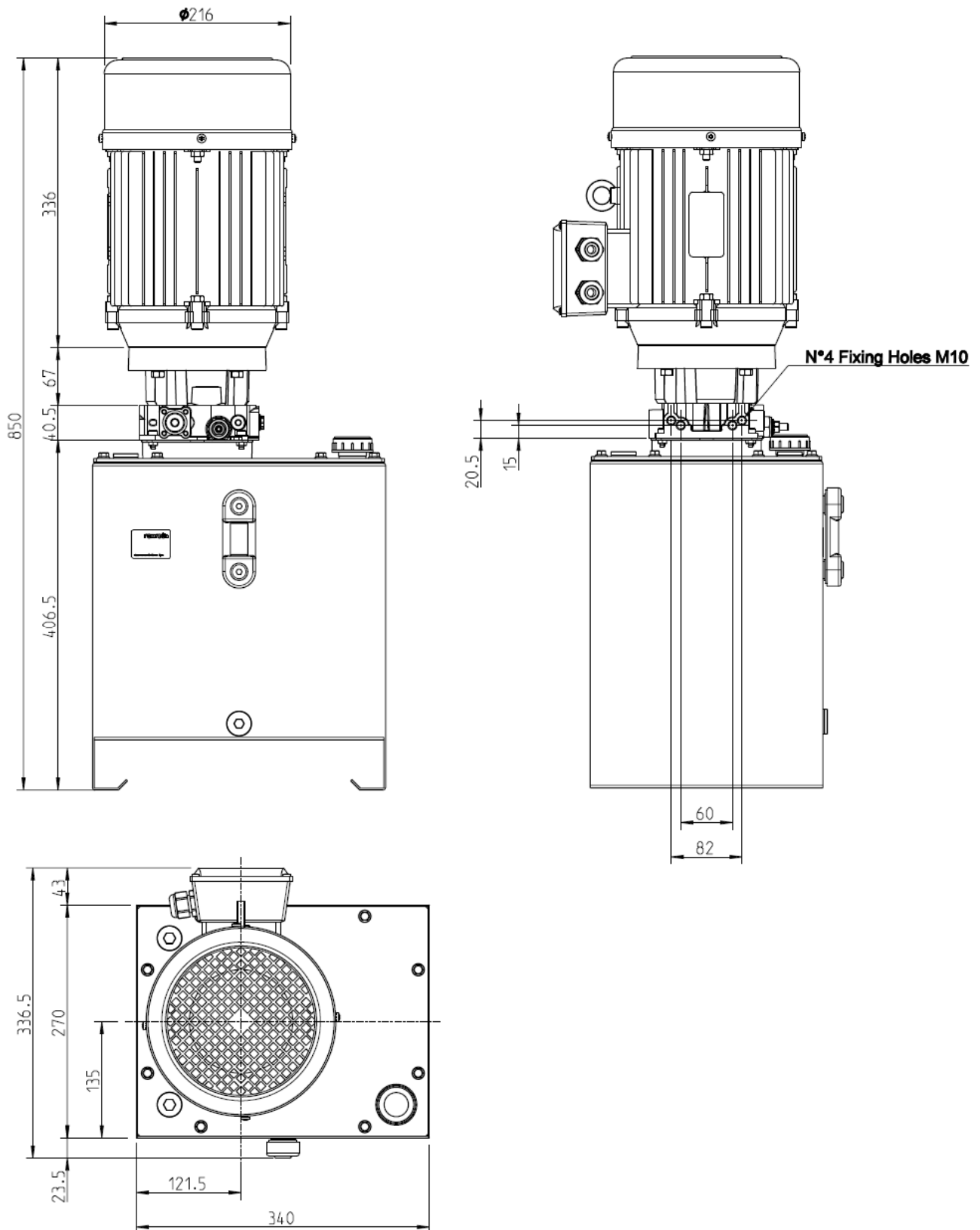


HKK 400V 4.0 – 180 11 30

Kompaktaggregat 400V, 4.0kW, 180bar
Compact Powerpack 400V, 4.0kW, 180bar

HANSA FLEX

Abmessungen / Dimensions

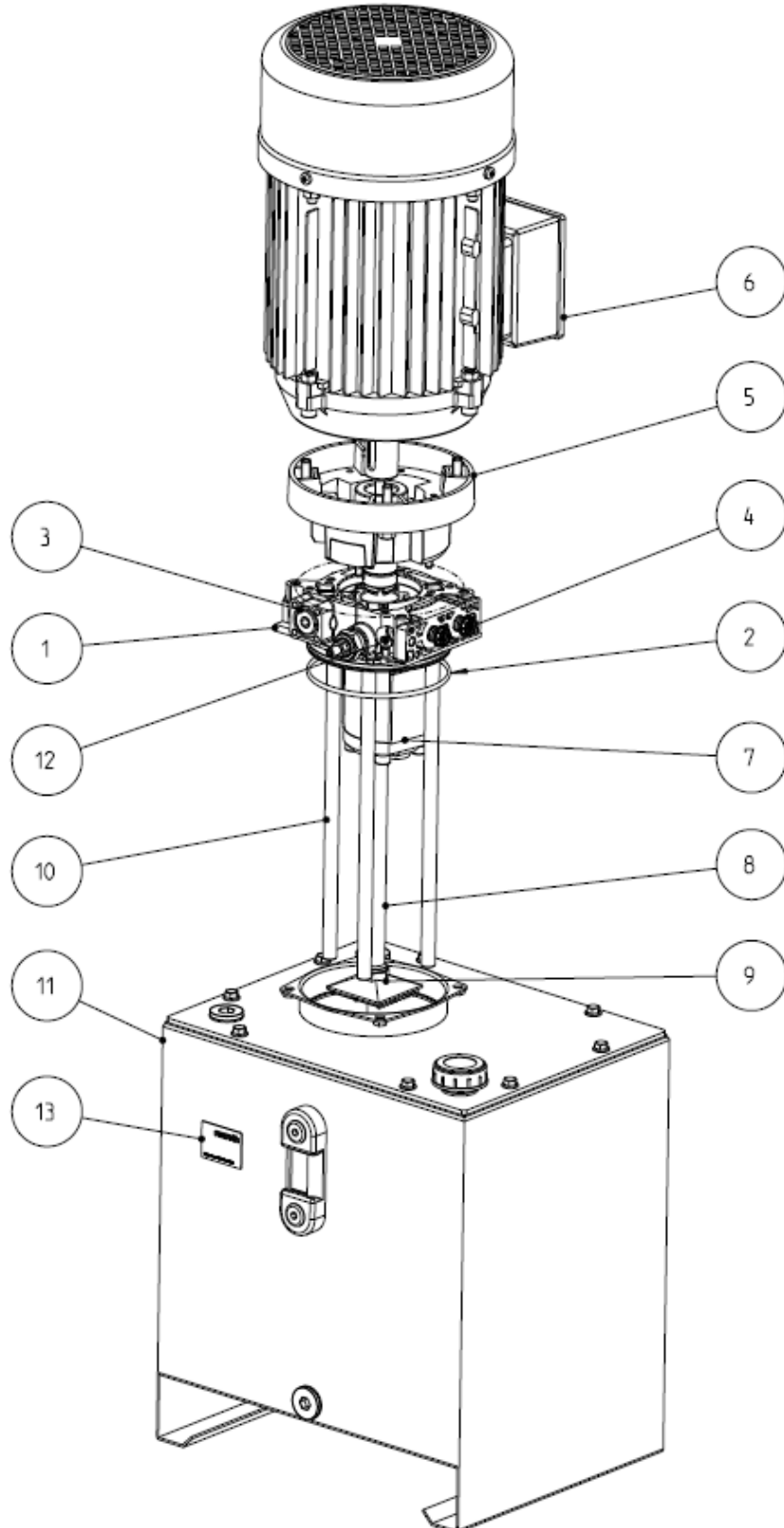


HKK 400V 4.0 – 180 11 30

Kompaktaggregat 400V, 4.0kW, 180bar
Compact Powerpack 400V, 4.0kW, 180bar

HANSA FLEX

Stückliste / Parts list



HKK 400V 4.0 – 180 11 30

Kompaktaggregat 400V, 4.0kW, 180bar
Compact Powerpack 400V, 4.0kW, 180bar



| | | | |
|------|--|--|-----|
| 13 | NAMEPLATE TARGHETTA | CA ID CA ID | 1 |
| 12 | SOCKET HEAD SCREW ZYLINDERSCHRAUBE | ISO4762-M6X16-8.8-CM& ISO4762-M6X16-8.8-CM& | 4 |
| 11 | OIL RESERVOIR SERBATOIO OLIO | KIT-S10-RETTANGOLARE& KIT-S10-RETTANGOLARE& | 1 |
| 10 | PIPE TUBO | RETURN M D L300 M12X1 RETURN M D L300 M12X1 | 3 |
| 9 | FILTER FILTRO | FIL ASP QUADRO 3/8F & FIL ASP QUADRO 3/8F & | 1 |
| 8 | PIPE TUBO | SUCTION P L222.0 G3/8 SUCTION P L222.0 G3/8 | 1 |
| 7 | KIT 20GH 7.4CC VITI M8X110 KIT 20GH 7.4CC VITI M8X110 | | 1 |
| 6 | 410-4.0KW -230/400-50-278/480-60-B14-112 410-4.0KW -230/400-50-278/480-60-B14-112 | | 1 |
| 5 | CARRIER TRASCINATORE | KIT-F18-TR.-IN-ALLUM& KIT-F18-TR.-IN-ALLUM& | 1 |
| 4 | GUARD PLUG SCHUTZSTOPFEN | P G1/4 TMGABM RED P G1/4 TMGABM RED | 2 |
| 3 | DUMMY PLUG FALSA CARTUCCIA | TC2 V096004 TC2 V096004 | 1 |
| 2 | O-RING O-RING | NP00160-110,72X3,53-& NP00160-110,72X3,53-& | 1 |
| 1 | A12/20 K GR.1 VSBN.90-250BAR VU VE12.7 A12/20 K GR.1 VSBN.90-250BAR VU VE12.7 | | 1 |
| Pos. | Description | | Qty |