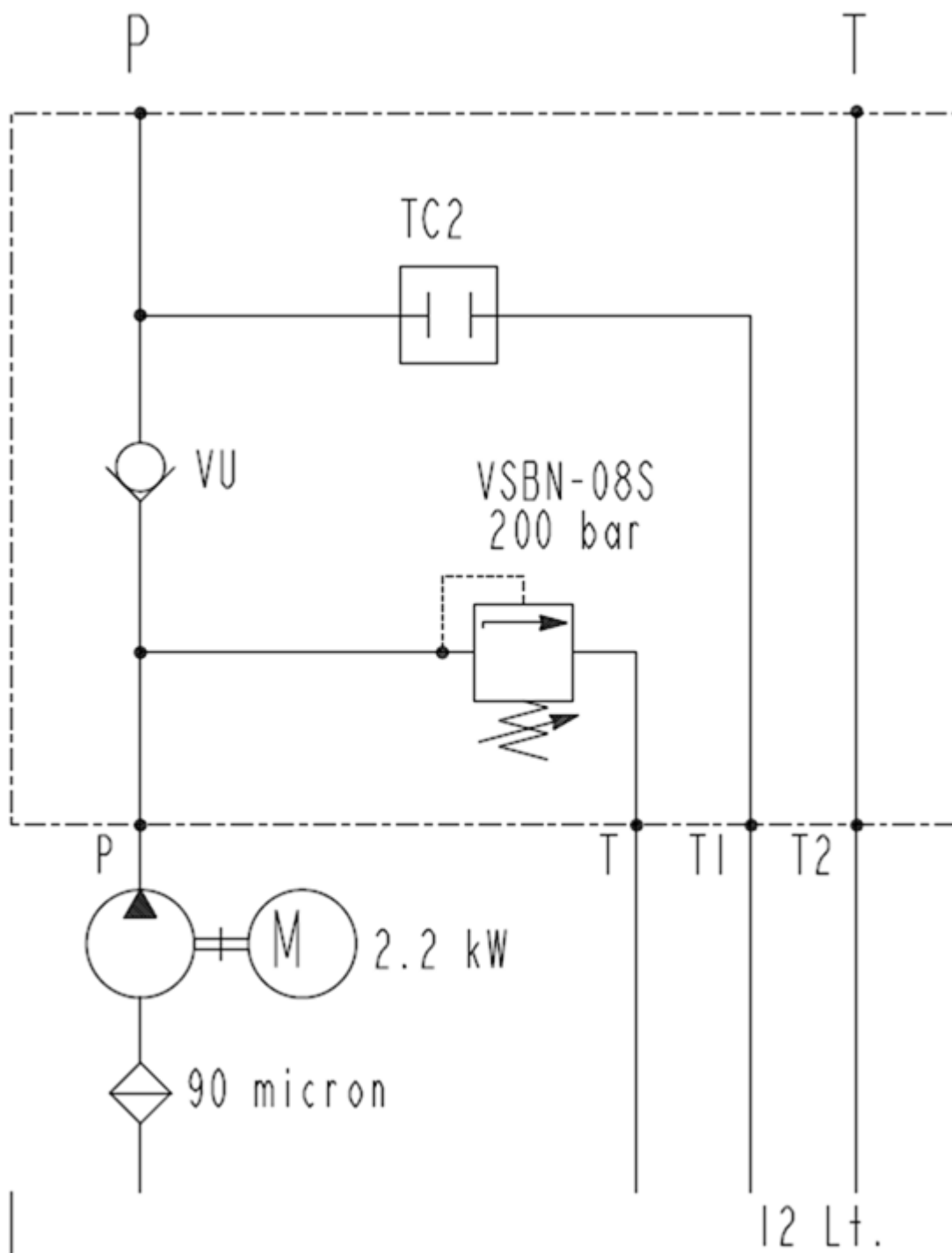


HKK 230V 2.2 – 200 6 12

Kompaktaggregat 230V, 2.2kW, 200bar
Compact Powerpack 230V, 2.2kW, 200bar

Schaltplan / Hydraulic circuit

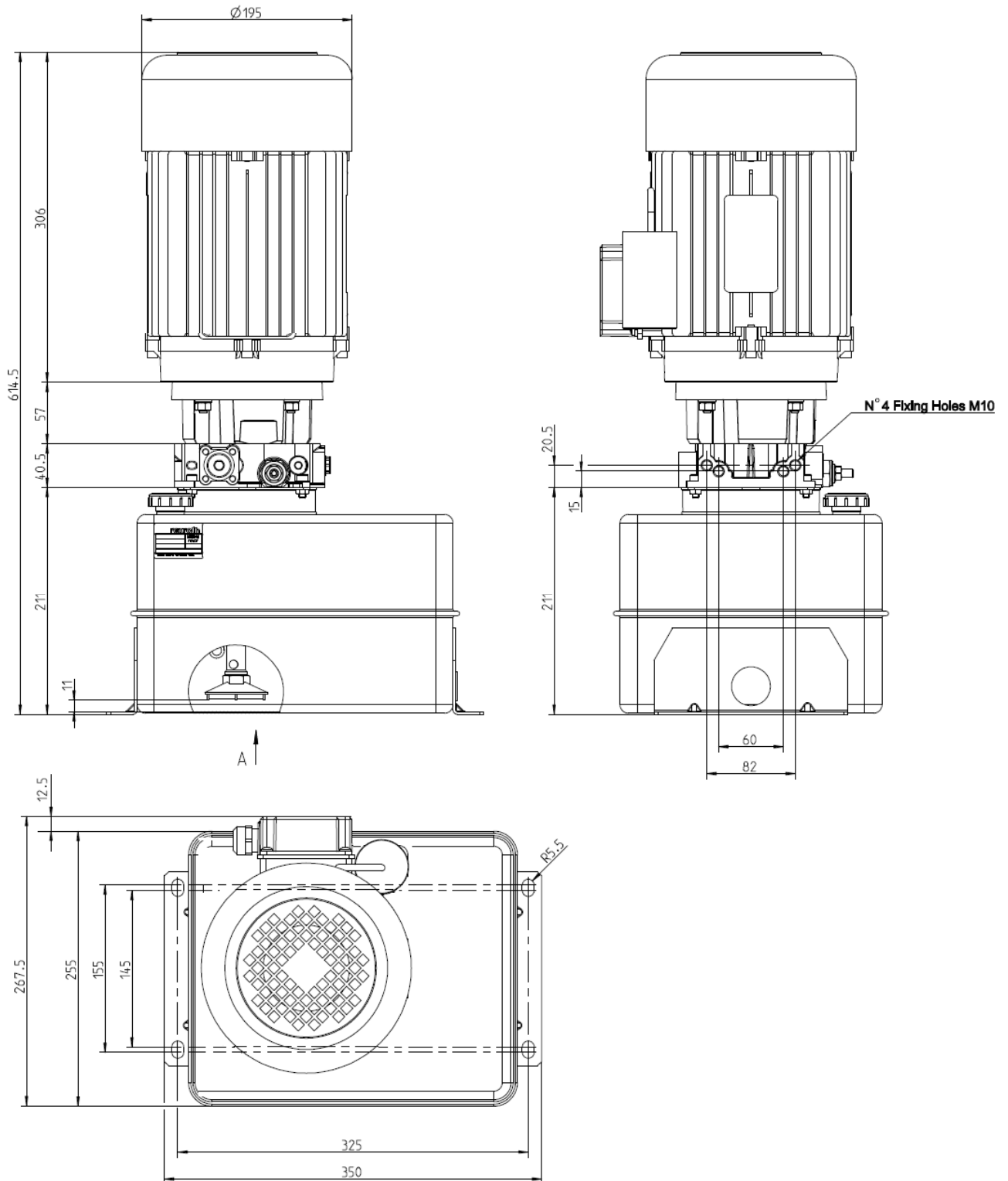


HKK 230V 2.2 – 200 6 12

Kompaktaggregat 230V, 2.2kW, 200bar
Compact Powerpack 230V, 2.2kW, 200bar

HANSA FLEX

Abmessungen / Dimensions

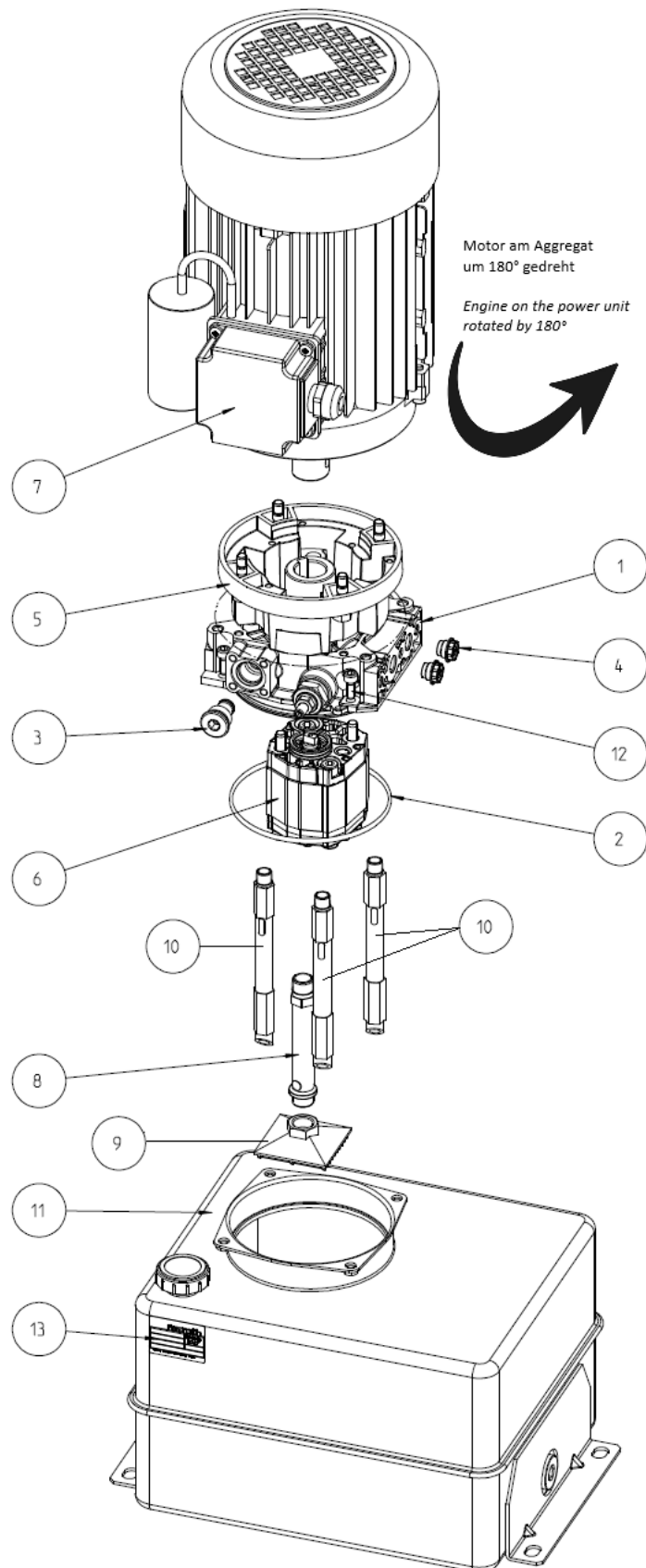


HKK 230V 2.2 – 200 6 12

Kompaktaggregat 230V, 2.2kW, 200bar
Compact Powerpack 230V, 2.2kW, 200bar

HANSA FLEX

Stückliste / Parts list



HKK 230V 2.2 – 200 6 12

Kompaktaggregat 230V, 2.2kW, 200bar
Compact Powerpack 230V, 2.2kW, 200bar



13	NAMEPLATE TARGHETTA	CA ID CA ID	1
12	SOCKET HEAD SCREW ZYLINDERSCHRAUBE	ISO4762-M6X16-8.8-CM& ISO4762-M6X16-8.8-CM&	4
11	OIL RESERVOIR SERBATOIO OLIO	KIT-S140-RETTANGOLAR& KIT-S140-RETTANGOLAR&	1
10	PIPE TUBO	RETURN P M12X1 L160 RETURN P M12X1 L160	3
9	FILTER FILTRO	FIL ASP QUADRO 3/8F & FIL ASP QUADRO 3/8F &	1
8	PIPE TUBO	SUCTION P L111.0 G3/8 SUCTION P L111.0 G3/8	1
7	408M-2.2KW -230-50-60MF-B14-100 408M-2.2KW -230-50-60MF-B14-100		1
6	KIT16-LD.PUMP 4,0CC/REV-M8X85 KIT16-LD.PUMP 4,0CC/REV-M8X85		1
5	CARRIER TRASCINATORE	KIT-F16-TR.-IN-ALLUM& KIT-F16-TR.-IN-ALLUM&	1
4	GUARD PLUG SCHUTZSTOPFEN	P G1/4 TMGABM RED P G1/4 TMGABM RED	2
3	DUMMY PLUG FALSA CARTUCCIA	TC2 V096004 TC2 V096004	1
2	O-RING O-RING	NP00160-110,72X3,53-& NP00160-110,72X3,53-&	1
1	A12/20 K GR.1 VSBN.90-250BAR VU VE12.7 A12/20 K GR.1 VSBN.90-250BAR VU VE12.7		1
Pos.	Description		Qty