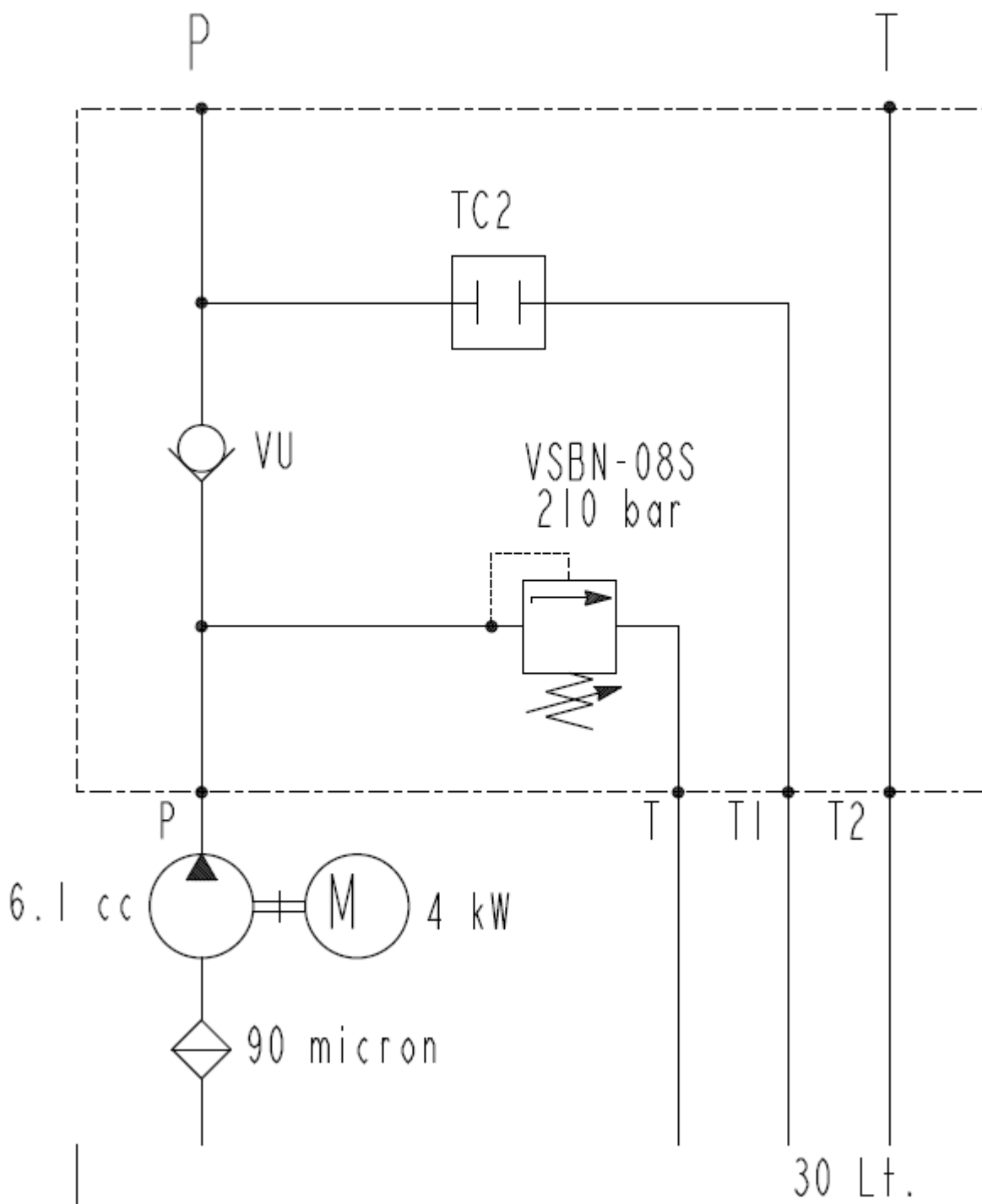


HKK 400V 4.0 – 210 11 30

Kompaktaggregat 400V, 4.0kW, 210bar
Compact Powerpack 400V, 4.0kW, 210bar

Schaltplan / Hydraulic circuit

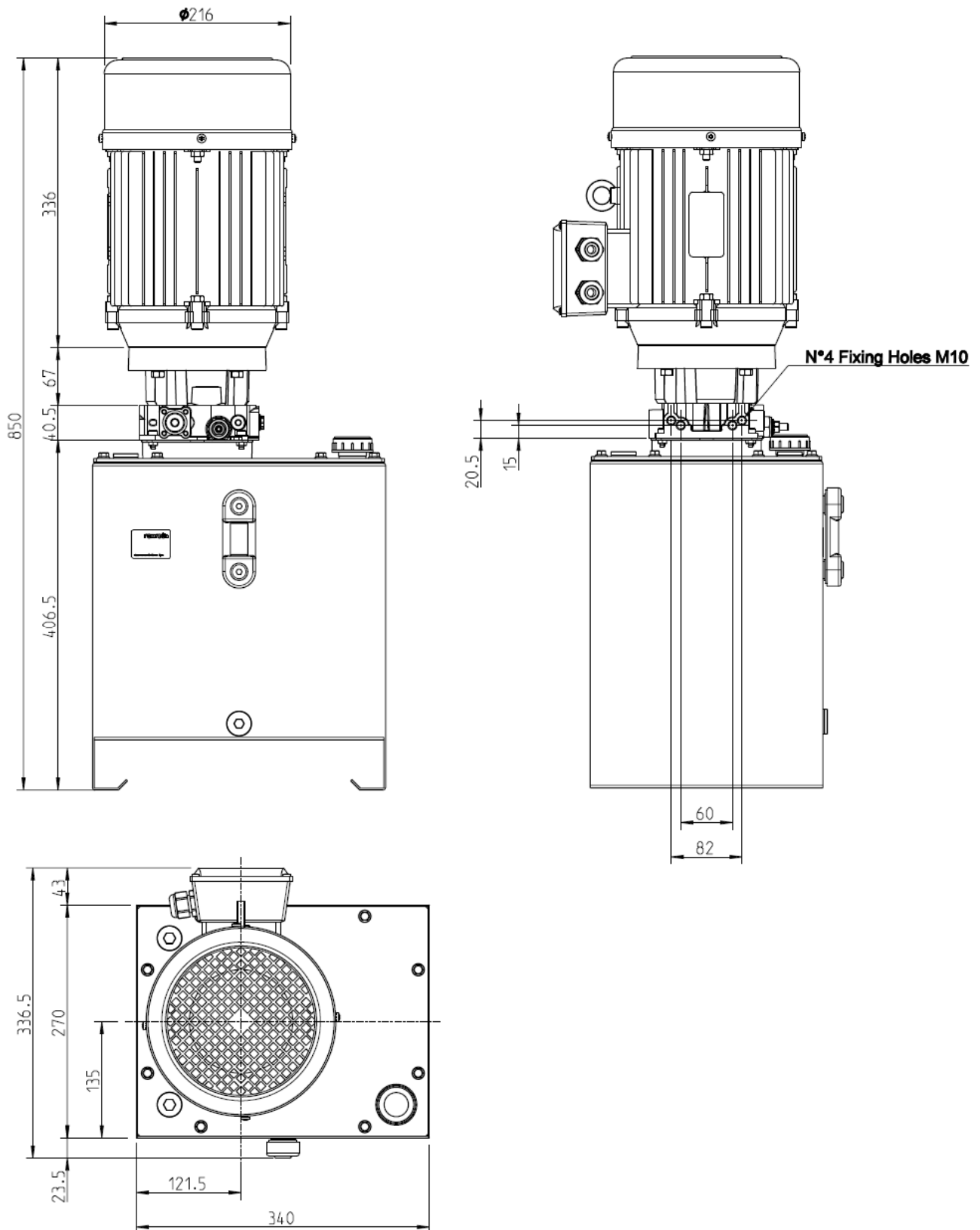


HKK 400V 4.0 – 210 11 30

Kompaktaggregat 400V, 4.0kW, 210bar
Compact Powerpack 400V, 4.0kW, 210bar

HANSA FLEX

Abmessungen / Dimensions

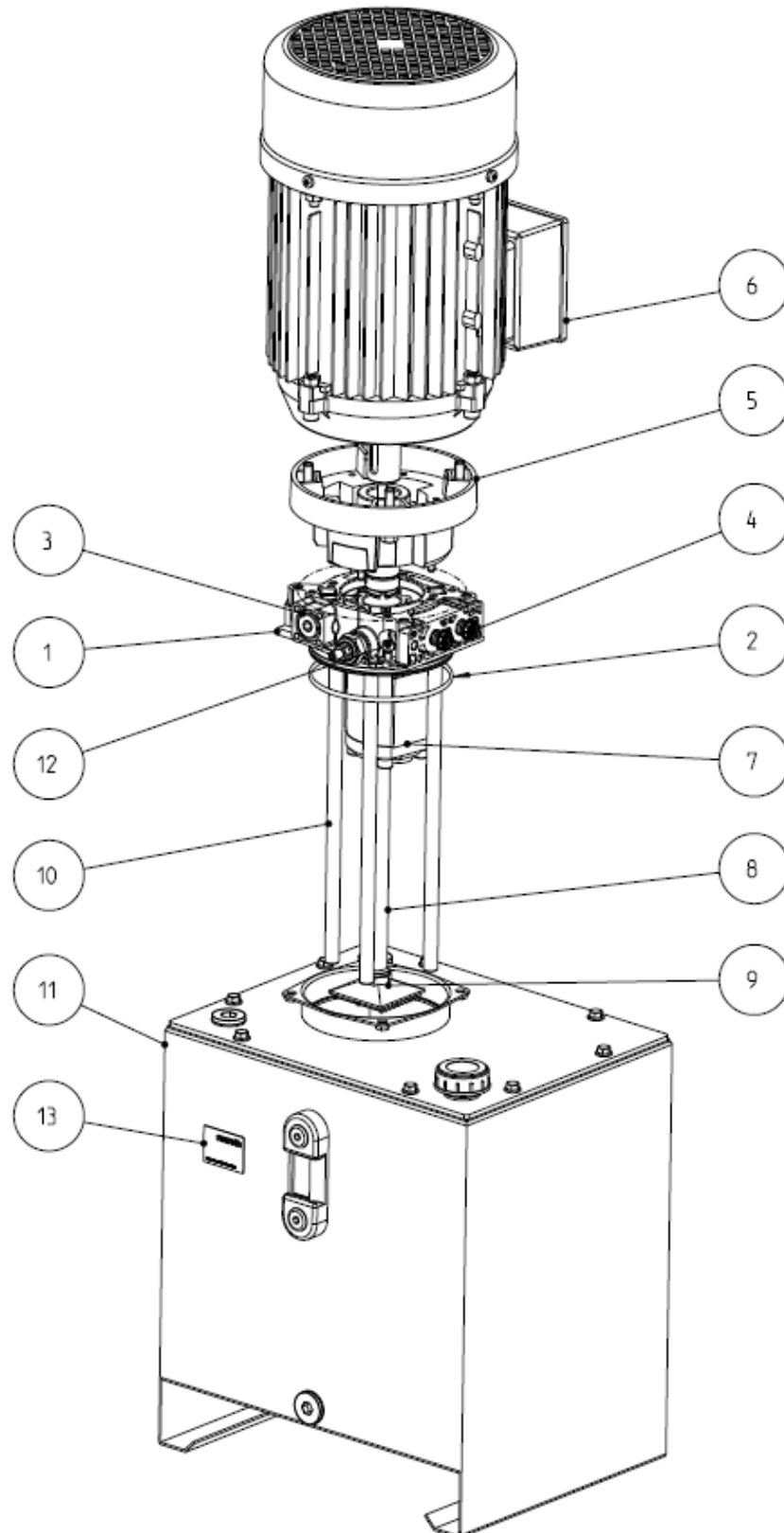


HKK 400V 4.0 – 210 11 30

Kompaktaggregat 400V, 4.0kW, 210bar
Compact Powerpack 400V, 4.0kW, 210bar

HANSA FLEX

Stückliste / Parts list



HKK 400V 4.0 – 210 11 30

Kompaktaggregat 400V, 4.0kW, 210bar
Compact Powerpack 400V, 4.0kW, 210bar



13	NAMEPLATE TARGHETTA	CA ID CA ID	1
12	SOCKET HEAD SCREW ZYLINDERSCHRAUBE	ISO4762-M6X16-8.8-CM& ISO4762-M6X16-8.8-CM&	4
11	OIL RESERVOIR SERBATOIO OLIO	KIT-S10-RETTANGOLARE& KIT-S10-RETTANGOLARE&	1
10	PIPE TUBO	RETURN M D L300 M12X1 RETURN M D L300 M12X1	3
9	FILTER FILTRO	FIL ASP QUADRO 3/8F & FIL ASP QUADRO 3/8F &	1
8	PIPE TUBO	SUCTION P L222.0 G3/8 SUCTION P L222.0 G3/8	1
7	KIT 19/20GH 6.1CC VITI M8X110 KIT 19/20GH 6.1CC VITI M8X110		1
6	410-4.0KW -230/400-50-278/480-60-B14-112 410-4.0KW -230/400-50-278/480-60-B14-112		1
5	CARRIER TRASCINATORE	KIT-F18-TR.-IN-ALLUM& KIT-F18-TR.-IN-ALLUM&	1
4	GUARD PLUG SCHUTZSTOPFEN	P G1/4 TMGABM RED P G1/4 TMGABM RED	2
3	DUMMY PLUG FALSA CARTUCCIA	TC2 V096004 TC2 V096004	1
2	O-RING O-RING	NP00160-110,72X3,53-& NP00160-110,72X3,53-&	1
1	A12/20 K GR.1 VSBN.90-250BAR VU VE12.7 A12/20 K GR.1 VSBN.90-250BAR VU VE12.7		1
Pos.	Description		Qty